

ITALIAN QUALITY SINCE 1920

# MYCROS **AC** 8C-10C 10-13

## SPECIFICATION SHEET



### SPECIFICATION SHEET

CHARACTERISTICS	1	Manufacturer	Abbreviated form	
	2	Models	Manufacturer's model	
	3	Capacity	Q Lifting load	kg
	4	At load center	C Distance	mm
	5	Type of drive	Electric (Battery) - Diesel - Fuel gas	
	6	Type of steering	Driver standing - driver sitting - outside	
	7	Tyres	C Cushion - SE Superel. front / rear	
	8	Wheels	Quantity (♦ = driven) front / rear	
DIMENSIONS	9	Lift	h3 Lift	mm
	10		h2 Normal free lift (see Mast details)	mm
	11	Forks FEM 2A	Length(L) x Width(F) x Thickness(S)	mm
	12	Tilt	Of the mast- forward (α) / backward (β)	<°
	13		L2 Length at the fork backrest	mm
	14		B Width	mm
	15	Overall dimensions	h1 Height, mast collapsed	mm
	16		h4 Height, mast extended	mm
	17		h5 Height overhead guard	mm
	18		h6 Height seat from floor	mm
	19	Turning radius	Wa	mm
20	Distance of load	X From centre front axle	mm	
21	Width of aisle	O (b'xb²) 1200x800 - 1200x1000	mm	
22		Ast 3 (b'xb²) 1200x800 - 1200x1000	mm	
PERFORMANCES	23	Stability tests	Complying with EEC Directive 2006/42/EC	yes/no
	24		Driving with /without load	km/h
	25	Speeds	Lifting with /without load	m/Sec
	26		Lowering with /without load	m/Sec
	27	Draw- bar- pull	At the hook max with /without load	N
	28	Gradeability	with /without load	%
	29		Max. with /without load	%
WEIGHT	30	Weight	Truck, battery included	kg
	31	Axle load	Without load front / rear	kg
	32		With load front / rear	kg
CHASSIS	33	Wheels	Number front / rear	n
	34		Dimensions front	mm
	35	Dimensions rear	mm	
	36	Wheel base	Y min. / max. (variable)	mm
	37	Wheel track	Wheels centerline front	mm
	38	Ground clearance	M With load at the lowest point	mm
	39		M1 With load of wheel base	mm
	40	Brakes	Service ( foot ) brake	
	41		Hand parking brake	
DRIVE	42	Battery	Type	
	43		Volt/Ah (capacity at 5 hours' discharge)	V/Ah
	44	Weight	kg	
	45	Power steering	Hydraulic - electronically controlled	yes/no
	46	Electric motors	Hourly output of driving motor S2 60 min.	kW
	47		Lifting motor, output S3 20 %	kW
	48	Traction Contr.	AC MOSFET	yes/no
	49	Pump control	Electronic by microprocessors	yes/no
	50	Working Press.	For additional attachments	bar

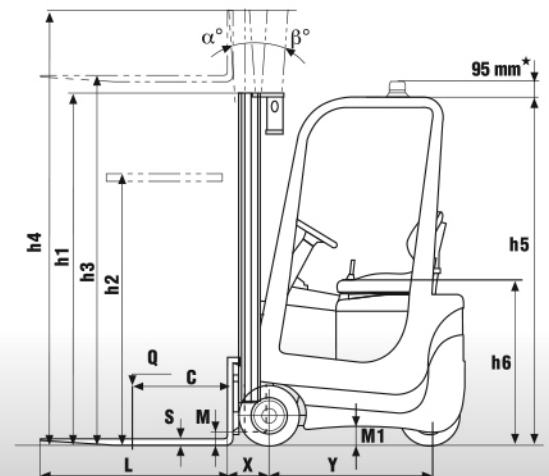
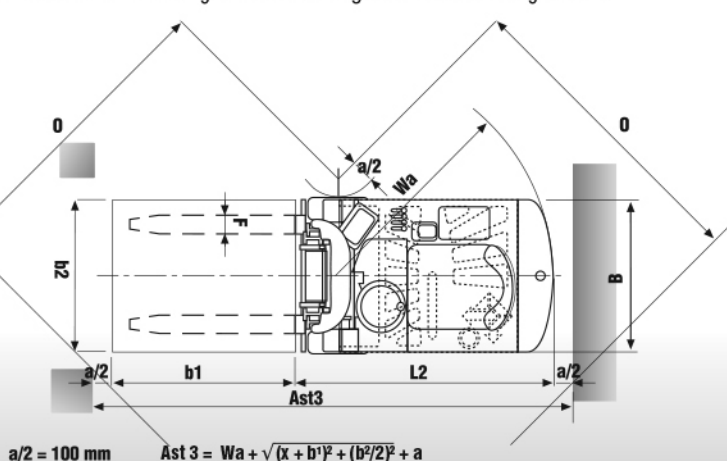
### MYCROS AC1

MYCROS AC1 8C	MYCROS AC1 10C	MYCROS AC1 10	MYCROS AC1 13
V.MARIOTTI S.r.l.	V.MARIOTTI S.r.l.	V.MARIOTTI S.r.l.	V.MARIOTTI S.r.l.
MYCROS AC1 8C	MYCROS AC1 10C	MYCROS AC1 10	MYCROS AC1 13
800	1000	1000	1300
500	500	500	500
electric	electric	electric	electric
driver sitting	driver sitting	driver sitting	driver sitting
C / C	C / C	SE / SE - C / C	SE / SE - C / C
2 / 1♦	2 / 1♦	2 / 1♦	2 / 1♦
3200	3200	3200	3200
\	\	\	\
1000x80x30	1000x80x30	1000x100x35	1000x100x35
2° 30' / 6°	2° 30' / 6°	2° 50' / 6°	2° 50' / 6°
1348	1348	1498	1498
835	835	910 SE - 920 C	910 SE - 920 C
2092	2092	2102	2102
3704	3704	3704	3704
1950	1950	1998	1998
950	950	980	980
1098 #	1098 #	1208 #	1208 #
250 *	250 *	290 *	290 *
1850 - 1905	1850 - 1905	1860 - 1915	1860 - 1915
2802 - 2832	2802 - 2832	2950 - 2980	2950 - 2980
yes	yes	yes	yes
7,5 / 7,8	7,5 / 7,8	9 / 9,2	9 / 9,2
0,30 / 0,38	0,29 / 0,38	0,29 / 0,38	0,28 / 0,38
0,34 / 0,26	0,35 / 0,26	0,35 / 0,26	0,36 / 0,26
1800 / 1950	1700 / 1850	3100 / 3250	3000 / 3200
13 / 18	10 / 18	13 / 18	10 / 16
20 / 25	18 / 24	17 / 25	15 / 24
1850 °	2150 °	2290 °	2600 °
910 / 940	950 / 1200	1100 / 1190	1220 / 1380
2270 / 380	2740 / 410	2820 / 470	3420 / 480
2 / 1	2 / 1	2 / 1	2 / 1
343x114x203 **	343x114x203 **	145x60-9 413x152x285,8	145x60-9 413x152x285,8
343x140x203	343x140x203	145x60-9 413x152x285,8	145x60-9 413x152x285,8
876 / 966	876 / 966	960 / 1050	960 / 1050
721	721	765 SE - 768 C	765 SE - 768 C
65	65	90	90
95	95	110	110
hydraulic	hydraulic	hydraulic	hydraulic
mechanical	mechanical	mechanical	mechanical
Traction	Traction	Traction	Traction
36/270 - 36/375	36/375	36/315 - 36/500	36/500
360 ° - 440	440 °	410 ° - 540	540 °
yes	yes	yes	yes
3,5	3,5	5	5
6,5	6,5	6,5	6,5
yes	yes	yes	yes
yes	yes	yes	yes
125	155	155	190

# with mast in vertical position \* included side-shift \*\* With triplex mast: 343x140x203

★ On demand installation of the flashlight inside the height of the overhead guard h5

Data showed are not binding and are liable to variations. The constructor reserves the right of changes without notice.



## MYCROS AC2

MYCROS AC2 8C	MYCROS AC2 10C	MYCROS AC2 10	MYCROS AC2 13
V.MARIOTTI S.r.l.	V.MARIOTTI S.r.l.	V.MARIOTTI S.r.l.	V.MARIOTTI S.r.l.
MYCROS AC2 8C	MYCROS AC2 10C	MYCROS AC2 10	MYCROS AC2 13
800	1000	1000	1300
500	500	500	500
electric	electric	electric	electric
driver sitting	driver sitting	driver sitting	driver sitting
C / C	C / C	SE / SE - C / C	SE / SE - C / C
2♦ / 1	2♦ / 1	2♦ / 1	2♦ / 1
3200	3200	3200	3200
\	\	\	\
1000x80x30	1000x80x30	1000x100x35	1000x100x35
2° 30' / 6°	2° 30' / 6°	2° 50' / 6°	2° 50' / 6°
1348	1348	1498	1498
870	870	930 SE - 940 C	930 SE - 940 C
2092	2092	2102	2102
3704	3704	3709	3709
1950	1950	1998	1998
950	950	980	980
1098 #	1098 #	1208 #	1208 #
250 *	250 *	290 *	290 *
1860 - 1915	1860 - 1915	1870 - 1925	1870 - 1925
2802 - 2832	2802 - 2832	2950 - 2980	2950 - 2980
yes	yes	yes	yes
7,8 / 8	7,8 / 8	9,2 / 9,5	9 / 9,5
0,30 / 0,38	0,29 / 0,38	0,29 / 0,38	0,28 / 0,38
0,34 / 0,26	0,35 / 0,26	0,35 / 0,26	0,36 / 0,26
3000 / 3500	3000 / 3500	3100 / 3250	3000 / 3200
18 / 20	16 / 18	14 / 18	11 / 18
22 / 25	20 / 24	18 / 25	16 / 24
1900 °	2190 °	2350 °	2690 °
920 / 980	990 / 1200	1160 / 1190	1300 / 1390
2320 / 380	2790 / 400	2870 / 480	3500 / 490
2 / 1	2 / 1	2 / 1	2 / 1
343x114x203 **	343x114x203 **	145x60-9 413x152x285,8	145x60-9 413x152x285,8
343x140x203	343x140x203	145x60-9 413x152x285,8	145x60-9 413x152x285,8
876 / 966	876 / 966	960 / 1050	960 / 1050
756	756	784 SE - 788 C	784 SE - 788 C
65	65	90	90
95	95	110	110
hydraulic	hydraulic	hydraulic	hydraulic
mechanical	mechanical	mechanical	mechanical
Traction	Traction	Traction	Traction
36/315 - 36/375	36/375	36/375 - 36/500	36/500
400 ° - 440	440 °	440 ° - 540	540 °
yes	yes	yes	yes
3,5 x 2	3,5 x 2	3,5 x 2	3,5 x 2
6,5	6,5	6,5	6,5
yes	yes	yes	yes
yes	yes	yes	yes
125	155	155	190

## MYCROS AC3

MYCROS AC3 8C	MYCROS AC3 10C	MYCROS AC3 10	MYCROS AC3 13
V.MARIOTTI S.r.l.	V.MARIOTTI S.r.l.	V.MARIOTTI S.r.l.	V.MARIOTTI S.r.l.
MYCROS AC3 8C	MYCROS AC3 10C	MYCROS AC3 10	MYCROS AC3 13
800	1000	1000	1300
500	500	500	500
electric	electric	electric	electric
driver sitting	driver sitting	driver sitting	driver sitting
C / C	C / C	SE / SE - C / C	SE / SE - C / C
2♦ / 1♦	2♦ / 1♦	2♦ / 1♦	2♦ / 1♦
3200	3200	3200	3200
\	\	\	\
1000x80x30	1000x80x30	1000x100x35	1000x100x35
2° 30' / 6°	2° 30' / 6°	2° 50' / 6°	2° 50' / 6°
1348	1348	1498	1498
870	870	930 SE - 940 C	930 SE - 940 C
2092	2092	2102	2102
3704	3704	3709	3709
1950	1950	1998	1998
950	950	980	980
1098 #	1098 #	1208 #	1208 #
250 *	250 *	290 *	290 *
1860 - 1915	1860 - 1915	1870 - 1925	1870 - 1925
2802 - 2832	2802 - 2832	2950 - 2980	2950 - 2980
yes	yes	yes	yes
7,8 / 8	7,8 / 8	9,2 / 9,5	9 / 9,5
0,30 / 0,38	0,29 / 0,38	0,29 / 0,38	0,28 / 0,38
0,34 / 0,26	0,35 / 0,26	0,35 / 0,26	0,36 / 0,26
3000 / 3500	3000 / 3500	3100 / 3250	3000 / 3200
18 / 20	16 / 18	14 / 18	11 / 18
22 / 25	20 / 24	18 / 25	16 / 24
1940 °	2230 °	2400 °	2650 °
930 / 1010	990 / 1240	1170 / 1230	1220 / 1430
2330 / 410	2790 / 440	2880 / 520	3420 / 530
2 / 1	2 / 1	2 / 1	2 / 1
343x114x203 **	343x114x203 **	145x60-9 413x152x285,8	145x60-9 413x152x285,8
343x140x203	343x140x203	145x60-9 413x152x285,8	145x60-9 413x152x285,8
876 / 966	876 / 966	960 / 1050	960 / 1050
756	756	784 SE - 788 C	784 SE - 788 C
65	65	90	90
95	95	110	110
hydraulic	hydraulic	hydraulic	hydraulic
mechanical	mechanical	mechanical	mechanical
Traction	Traction	Traction	Traction
36/315 - 36/375	36/375	36/375 - 36/500	36/500
400 ° - 440	440 °	440 ° - 540	540 °
yes	yes	yes	yes
3,5 x 3	3,5 x 3	3,5 x 2 + 5	3,5 x 2 + 5
6,5	6,5	6,5	6,5
yes	yes	yes	yes
yes	yes	yes	yes
125	155	155	190

### MYCROS AC 8C-10C

- Traction: rear, front or all wheel
- Voltage 36 V
- AC traction and pump motors
- Electronic lift control
- Cushion tires
- Power Steering
- Integrated side-shift
- Lift height from 2900 mm to 5700 mm
- Curve Speed Control (CSC)



### MYCROS AC 10-13

- Traction: rear, front or all wheel
- Voltage 36 V
- AC traction and pump motors
- Electronic lift control
- Cushion or Superelastic tires
- Power Steering
- Integrated side-shift
- Lift height from 2900 mm to 5700 mm
- Curve Speed Control (CSC)





Data shown is typical. Deviation may occur. The manufacturer reserves the right to make changes without notice.

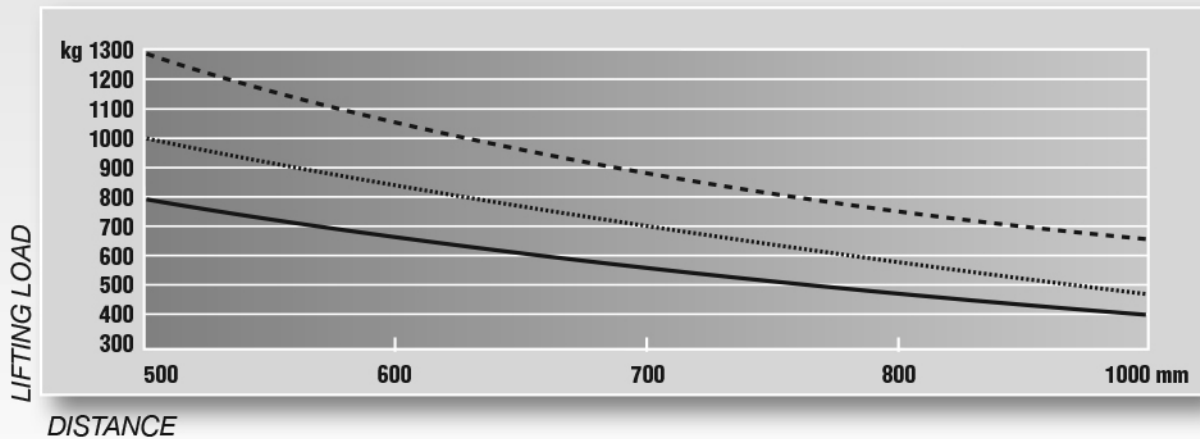
### MAST DETAILS MYCROS AC 8C-10C

HEIGHT		STANDARD INCL. SIDE-SHIFT				DUPLEX INCL. SIDE-SHIFT				TRIPLEX INCL. SIDE-SHIFT		
		2900	3200	3800	4200	2900	3200	3800	4200	4350	4800	5700
Lifting	h3	2900	3200	3800	4200	2900	3200	3800	4200	4350	4800	5700
Height mast collapsed	h1	1945	2097	2397	2597	1945	2097	2397	2597	1945	2097	2397
Height mast extended	h4	3380	3684	4284	4684	3380	3684	4284	4684	4823	5279	6179
Free lift	h2	-	-	-	-	1478	1630	1930	2130	1478	1630	1930
Width AC1	B	835				835				935		
Width AC2-AC3	B	870				870				960		

### MAST DETAILS MYCROS AC 10-13

HEIGHT		STANDARD INCL. SIDE-SHIFT				DUPLEX INCL. SIDE-SHIFT				TRIPLEX INCL. SIDE-SHIFT		
		2900	3200	3800	4200	2900	3200	3800	4200	4350	4800	5700
Lifting	h3	2900	3200	3800	4200	2900	3200	3800	4200	4350	4800	5700
Height mast collapsed	h1	1955	2107	2407	2607	1955	2107	2407	2607	1955	2107	2407
Height mast extended	h4	3389	3693	4293	4693	3389	3693	4293	4693	4833	5289	6189
Free lift	h2	-	-	-	-	1478	1630	1930	2130	1478	1630	1930
Width AC1	B	910 SE - 920 C				910 SE - 920 C				990 SE - 960 C		
Width AC2-AC3	B	930 SE - 940 C				930 SE - 940 C				1030 SE - 990 C		

— MYCROS AC 8C    ..... MYCROS AC 10C - 10    - - - MYCROS AC 13



#### MYCROS AC 8C-10C

- Traction: rear, front or all wheel
- Voltage 36V
- AC traction and pump motors
- Electronic lift control
- Cushion tires
- Power Steering
- Integrated side-shift
- Lift height from 2900 mm to 5700 mm
- Curve Speed Control (CSC)



#### MYCROS AC 10-13

- Traction: rear, front or all wheel
- Voltage 36V
- AC traction and pump motors
- Electronic lift control
- Cushion or Superelastic tires
- Power Steering
- Integrated side-shift
- Lift height from 2900 mm to 5700 mm
- Curve Speed Control (CSC)

